

CREATE  
YOUR STYLE with  
CRYSTALLIZED™  
– Swarovski Elements

# BRACELET OPULENCE



INSTRUCTION GUIDE

# BRACELET OPULENCE



## CRYSTALLIZED™ – Swarovski Elements

## Supplies & Tools

Article	Product Group	Article No.	Amount	Size	Colour	Colour Code
	Sew-on Stones	3231	1 pc.	18x11 mm	Crystal	001
	Sew-on Stones	3231	1 pc.	28x17 mm	Crystal	001
	Sew-on Stones	3231	1 pc.	28x17 mm	Jet	280
	Sew-on Stones	3254	7 pcs.	20x9 mm	Crystal Silver Shade	001 SSHA
	Sew-on Stones	3254	4 pcs.	20x9 mm	Crystal	001
	Sew-on Stones	3254	2 pcs.	30x14 mm	Crystal Silver Shade	001 SSHA
	Sew-on Stones	3254	2 pcs.	30x14 mm	Crystal	001

### Supplies

wire Ø0.5 mm

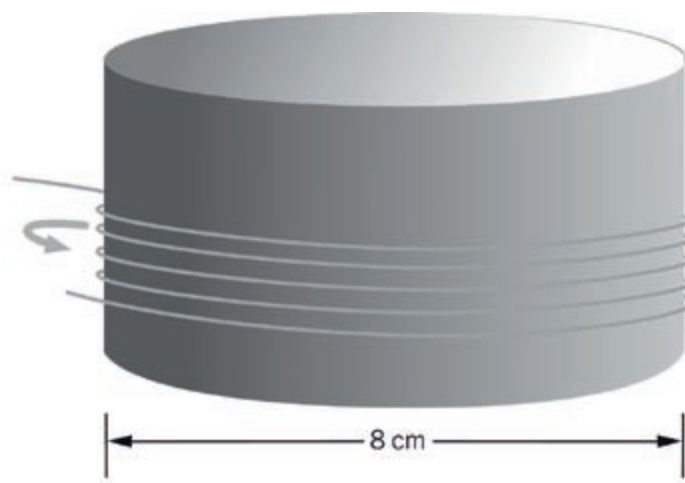
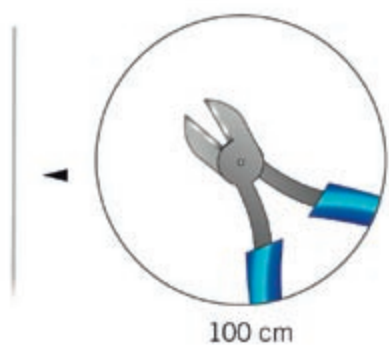
### Tools

flat nose pliers  
round nose pliers  
wire cutter

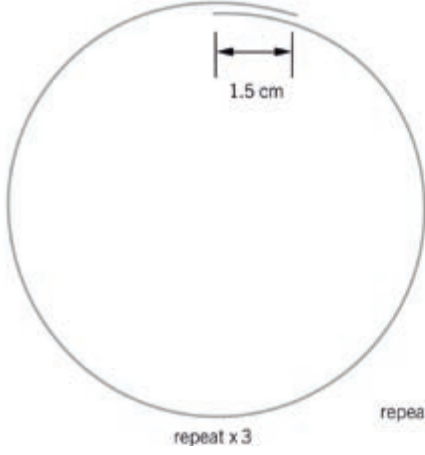
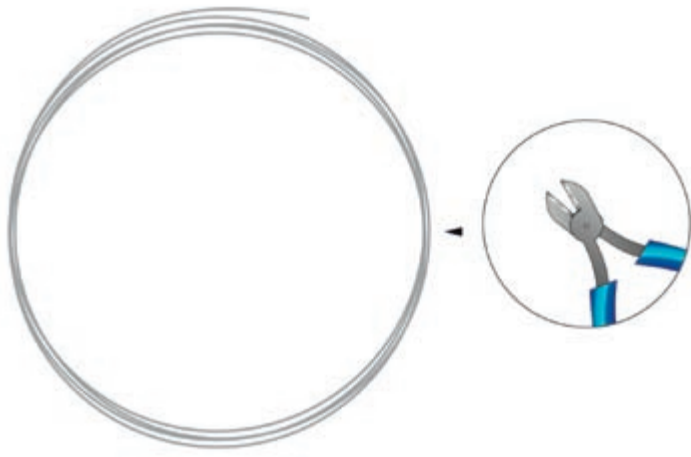
	Beads	5000	163 pcs.	2 mm	Siam	208
	Beads	5000	163 pcs.	2 mm	Black Diamond	215
	Beads	5000	163 pcs.	2 mm	Jet	280
	Beads	5000	88 pcs.	3 mm	Jet Hematite	280 HEM
	Beads	5000	66 pcs.	4 mm	Crystal Dorado	001 DOR
	Beads	5000	66 pcs.	4 mm	Black Diamond	215
	Beads	5000	66 pcs.	4 mm	Fuchsia	502
	Beads	5000	40 pcs.	6 mm	Crystal Dorado	001 DOR
	Beads	5000	40 pcs.	6 mm	Jet Nut 2x	280 NUT2
	Beads	5000	29 pcs.	8 mm	Dark Indigo	288
	Beads	5301	68 pcs.	4 mm	Crystal Silver Shade	001 SSHA
	Beads	5301	68 pcs.	4 mm	Jet Nut 2x	280 NUT2
	Beads	5301	68 pcs.	4 mm	Dark Indigo	288
	Beads	5301	68 pcs.	4 mm	Indian Pink	289
	Beads	5301	30 pcs.	8 mm	Black Diamond	215

	Crystal Pearls	5810	60 pcs.	4 mm	Crystal Mystic Black Pearl	001 335
	Crystal Pearls	5810	40 pcs.	6 mm	Crystal Mystic Black Pearl	001 335
	Crystal Pearls	5810	29 pcs.	8 mm	Crystal Mystic Black Pearl	001 335

## STEP 1

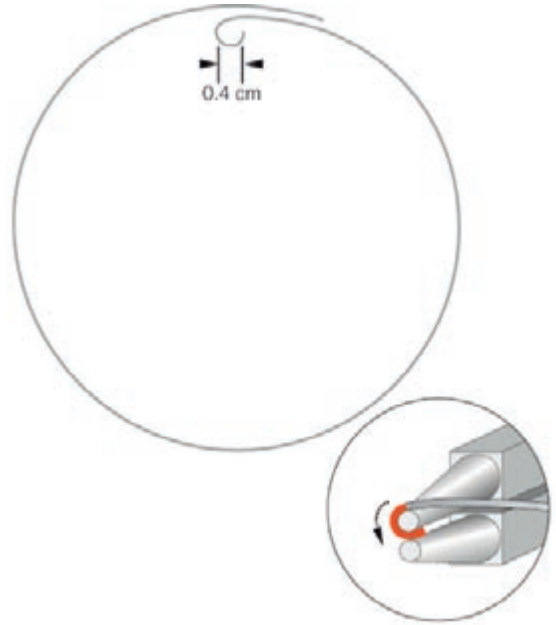


STEP 2



repeat steps 1 - 2 x 4

STEP 3



STEP 4



STEP 5



repeat step 3

STEP 6



STEP 7

repeat steps 3-5



STEP 8

repeat steps 3-7

